

Approval body for construction products  
and types of construction

Bautechnisches Prüfamt

An institution established by the Federal and  
Laender Governments



## European Technical Assessment

ETA-10/0352  
of 6 July 2015

English translation prepared by DIBt - Original version in German language

### General Part

Technical Assessment Body issuing the  
European Technical Assessment:

Deutsches Institut für Bautechnik

Trade name of the construction product

Injection System fischer FIS VL

Product family  
to which the construction product belongs

Bonded anchor for use in concrete

Manufacturer

fischerwerke GmbH & Co. KG  
Klaus-Fischer-Straße 1  
72178 Waldachtal  
DEUTSCHLAND

Manufacturing plant

fischerwerke

This European Technical Assessment  
contains

20 pages including 3 annexes which form an integral part  
of this assessment

This European Technical Assessment is  
issued in accordance with Regulation (EU)  
No 305/2011, on the basis of

Guideline for European technical approval of "Metal  
anchors for use in concrete", ETAG 001 Part 5: "Bonded  
anchors", April 2013,  
used as European Assessment Document (EAD)  
according to Article 66 Paragraph 3 of Regulation (EU)  
No 305/2011.

**European Technical Assessment**

**ETA-10/0352**

English translation prepared by DIBt

Page 2 of 20 | 6 July 2015

The European Technical Assessment is issued by the Technical Assessment Body in its official language. Translations of this European Technical Assessment in other languages shall fully correspond to the original issued document and shall be identified as such.

Communication of this European Technical Assessment, including transmission by electronic means, shall be in full. However, partial reproduction may only be made with the written consent of the issuing Technical Assessment Body. Any partial reproduction shall be identified as such.

This European Technical Assessment may be withdrawn by the issuing Technical Assessment Body, in particular pursuant to information by the Commission in accordance with Article 25(3) of Regulation (EU) No 305/2011.

**Specific Part**

**1 Technical description of the product**

The Fischer injection system FIS VL is a bonded anchor consisting of a cartridge with injection mortar Fischer FIS VL and a steel element. The steel element consists of

- a Fischer threaded rod FIS A or RGM of sizes M6 to M30 or
- an internal threaded anchor RGM I of sizes M8 to M20 or

The steel element is placed into a drilled hole filled with injection mortar and is anchored via the bond between metal part, injection mortar and concrete.

The product description is given in Annex A.

**2 Specification of the intended use in accordance with the applicable European Assessment Document**

The performances given in Section 3 are only valid if the anchor is used in compliance with the specifications and conditions given in Annex B.

The verifications and assessment methods on which this European Technical Assessment is based lead to the assumption of a working life of the anchor of at least 50 years. The indications given on the working life cannot be interpreted as a guarantee given by the producer, but are to be regarded only as a means for choosing the right products in relation to the expected economically reasonable working life of the works.

**3 Performance of the product and references to the methods used for its assessment**

**3.1 Mechanical resistance and stability (BWR 1)**

| Essential characteristic   | Performance          |
|--|----------------------|
| Characteristic resistance for design according to TR 029             | See Annex C 1 to C 3 |
| Characteristic resistance for design according to CEN/TS 1992-4:2009 | See Annex C 4 to C 6 |
| Displacements under tension and shear loads                          | See Annex C 7        |

**3.2 Safety in case of fire (BWR 2)**

| Essential characteristic | Performance                                   |
|--------------------------|---|
| Reaction to fire         | Anchorage satisfies requirements for Class A1 |
| Resistance to fire       | No performance assessed                       |

**3.3 Hygiene, health and the environment (BWR 3)**

Regarding dangerous substances there may be requirements (e.g. transposed European legislation and national laws, regulations and administrative provisions) applicable to the products falling within the scope of this European Technical Assessment. In order to meet the provisions of Regulation (EU) No 305/2011, these requirements need also to be complied with, when and where they apply.

**3.4 Safety in use (BWR 4)**

The essential characteristics regarding Safety in use are included under the Basic Works Requirement Mechanical resistance and stability.

English translation prepared by DIBt

**3.5 Protection against noise (BWR 5)**

Not applicable.

**3.6 Energy economy and heat retention (BWR 6)**

Not applicable.

**3.7 Sustainable use of natural resources (BWR 7)**

The sustainable use of natural resources was not investigated.

**3.8 General aspects**

The verification of durability is part of testing the essential characteristics. Durability is only ensured if the specifications of intended use according to Annex B are taken into account.

**4 Assessment and verification of constancy of performance (AVCP) system applied, with reference to its legal base**

According to Decision of the Commission of 24 June 1996 (96/582/EC) (OJ L 254 of 08.10.96 p. 62-65), the system of assessment and verification of constancy of performance (see Annex V and Article 65 Paragraph 2 to Regulation (EU) No 305/2011) given in the following table applies.

| Product   | Intended use   | Level or class | System |
|---|--|----------------|--------|
| Metal anchors for use in concrete (heavy-duty type) | For fixing and/or supporting concrete structural elements or heavy units such as cladding and suspended ceilings | —              | 1      |

**5 Technical details necessary for the implementation of the AVCP system, as provided for in the applicable European Assessment Document**

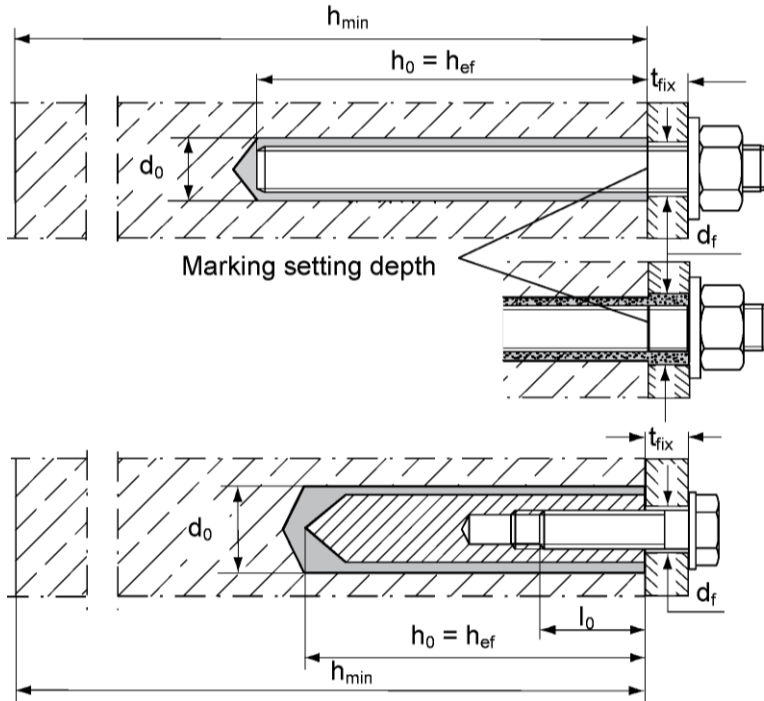
Technical details necessary for the implementation of the AVCP system are laid down in the control plan deposited at Deutsches Institut für Bautechnik.

Issued in Berlin on 6 July 2015 by Deutsches Institut für Bautechnik

Uwe Bender  
Head of Department

*beglaubigt:*  
Baderschneider

### Installation condition



**fischer threaded rod**  
pre-positioned anchorage

**fischer threaded rod**  
push through anchorage  
(annular gap filled with mortar)

**fischer internal threaded  
anchor RG MI**  
only pre-positioned anchorage

**fischer injection system FIS VL**

**Product description**  
Installation condition

**Annex A 1**

|  |   |
|--|---|
| <p>Extension tube</p> <p>Static mixer FIS MR or FIS ME (Easy Mix)</p>                  | <p><b>Shuttle cartridge</b><br/>(Sizes: 345 ml; 360 ml; 390 ml; 950 ml; 1100ml; 1500 ml)</p>  |
| <p>Sealing cap</p>   | <p>Imprint: fischer FIS VL or FIS VL High Speed or FIS VL Low Speed, processing notes, shelf-life, piston travel scale, curing times and processing times (depending on temperature), hazard codes, size, volume</p>  |
| <p>Sealing cap</p>   | <p><b>Coaxial cartridge</b><br/>(Sizes: 100 ml; 150 ml; 300 ml; 380 ml; 400ml; 410 ml)</p> <p>Imprint: fischer FIS VL or FIS VL High Speed or FIS VL Low Speed, processing notes, shelf-life, piston travel scale, curing times and processing times (depending on temperature), hazard codes, size, volume</p> |
| <p><b>Threaded rod</b><br/>Sizes: M6, M8, M10, M12, M16, M20, M24, M27, M30</p>        | <p>Washer      Hexagon nut</p>  |
| <p><b>fischer internal threaded anchor RG MI</b><br/>Sizes: M8, M10, M12, M16, M20</p> | <p>Screw</p> <p>Threaded rod      Washer      Hexagon nut</p>   |
| <p><b>fischer injection system FIS VL</b></p>  |   |
| <p><b>Product description</b><br/>Cartridges / Static mixer / Steel elements</p>       | <p><b>Annex A 2</b></p>   |

**Table A1: Materials**

| Part | Designation   | Material   |   |   |
|------|---|--|---|---|
| 1    | Mortar cartridge  | Mortar, hardener; filler   |   |   |
|      |   | Steel, zinc plated   | Stainless steel A4  | High corrosion-resistant steel C  |
| 2    | Threaded rod  | Property class 5.8 or 8.8;<br>EN ISO 898-1: 2013<br>zinc plated $\geq 5\mu\text{m}$ ,<br>EN ISO 4042:1999 A2K<br>or hot-dip galvanised<br>EN ISO 10684:2004<br>$f_{uk} \leq 1000 \text{ N/mm}^2$<br>$A_5 > 8\%$ fracture<br>elongation | Property class 50, 70<br>or 80<br>EN ISO 3506:2009<br>1.4401; 1.4404;<br>1.4578; 1.4571;<br>1.4439; 1.4362;<br>1.4062<br>EN 10088-1:2014<br>$f_{uk} \leq 1000 \text{ N/mm}^2$<br>$A_5 > 8\%$ fracture<br>elongation | Property class 50 or 80<br>EN ISO 3506:2009<br>or property class 70<br>with $f_{yk} = 560 \text{ N/mm}^2$<br>1.4565; 1.4529<br>EN 10088-1:2014<br>$f_{uk} \leq 1000 \text{ N/mm}^2$<br>$A_5 > 8\%$ fracture<br>elongation |
| 3    | Washer<br>ISO 7089:2000                                       | zinc plated $\geq 5\mu\text{m}$ ,<br>EN ISO 4042:1999 A2K<br>or hot-dip galvanised<br>EN ISO 10684:2004  | 1.4401; 1.4404;<br>1.4578; 1.4571;<br>1.4439; 1.4362<br>EN 10088-1:2014   | 1.4565; 1.4529<br>EN 10088-1:2014   |
| 4    | Hexagon nut   | Property class 5 or 8;<br>EN ISO 898-2:2013<br>zinc plated $\geq 5\mu\text{m}$ ,<br>ISO 4042:1999 A2K<br>or hot-dip galvanised<br>ISO 10684:2004   | Property class 50, 70<br>or 80<br>EN ISO 3506:2009<br>1.4401; 1.4404;<br>1.4578; 1.4571;<br>1.4439; 1.4362<br>EN 10088-1:2014   | Property class 50, 70 or<br>80<br>EN ISO 3506:2009<br>1.4565; 1.4529<br>EN 10088-1:2014   |
| 5    | Internal threaded anchor<br>RG MI                             | Property class 5.8;<br>EN 10277-1:2008<br>zinc plated $\geq 5\mu\text{m}$ ,<br>ISO 4042:1999 A2K   | Property class 70<br>EN ISO 3506:2009<br>1.4401; 1.4404;<br>1.4578; 1.4571;<br>1.4439; 1.4362<br>EN 10088-1:2014  | Property class 70<br>EN ISO 3506-1:2009<br>1.4565; 1.4529<br>EN 10088-1:2014  |
| 6    | Screw or threaded rod for<br>internal threaded anchor<br>RGMI | Property class 5.8 or 8.8;<br>EN ISO 898-1:2013<br>zinc plated $\geq 5\mu\text{m}$ ,<br>ISO 4042:1999 A2K  | Property class 70<br>EN ISO 3506:2009<br>1.4401; 1.4404;<br>1.4578; 1.4571;<br>1.4439; 1.4362<br>EN 10088-1:2014  | Property class 70<br>EN ISO 3506-1:2009<br>1.4565; 1.4529<br>EN 10088-1:2014  |



**fischer injection system FIS VL**

**Product description**  
Materials

**Annex A 3**

**Specifications of intended use**

**Table B1: Overview use categories and performance categories**

| Anchorages subject to            |                            | FIS VL with ...   |                                    |   |                                     |
|----------------------------------|----------------------------|---|------------------------------------|---|-------------------------------------|
|                                  |                            | Threaded rod<br> |                                    | Internal threaded anchor RG MI<br> |                                     |
| Hammer drilling                  |                            | all sizes   |                                    |   |                                     |
| Static and quasi static load, in | un-cracked concrete        | M6 to M30   | Tables:<br>C1, C3, C5, C7, C9, C10 | M8 to M20   | Tables:<br>C2, C4, C6, C8, C11, C12 |
|                                  | cracked concrete           | M10 to M20  |                                    |   |                                     |
| Use category                     | Dry or wet concrete        | M6 to M30   |                                    | M8 to M20   |                                     |
|                                  | Flooded hole <sup>1)</sup> | M12 to M30  |                                    | M8 to M20   |                                     |
| Installation temperature         |                            | -10°C to +40°C  |                                    |   |                                     |
| In-service temperature           | Temperature range I        | -40°C to +80°C  |                                    | (max. long term temperature +50°C and max. short term temperature +80°C)  |                                     |
|                                  | Temperature range II       | -40°C to +120°C   |                                    | (max. long term temperature +72°C and max. short term temperature +120°C)   |                                     |

<sup>1)</sup> Only coaxial cartridges: 380 ml, 400 ml and 410 ml

**Base materials:**

- Reinforced or unreinforced normal weight concrete according to EN 206-1:2013
- Strength classes C20/25 to C50/60 according to EN 206-1:2013

**Use conditions (Environmental conditions):**

- Structures subject to dry internal conditions exists (zinc coated steel, stainless steel or high corrosion resistant steel)
- Structures subject to external atmospheric exposure (including industrial and marine environment) and to permanently damp internal condition, if no particular aggressive conditions exist (stainless steel or high corrosion resistant steel)
- Structures subject to external atmospheric exposure and to permanently damp internal condition, if other particular aggressive conditions exist (high corrosion resistant steel)  
Note: Particular aggressive conditions are e.g. permanent, alternating immersion in seawater or the splash zone of seawater, chloride atmosphere of indoor swimming pools or atmosphere with extreme chemical pollution (e.g. in desulphurization plants or road tunnels where de-icing materials are used)

**Design:**

- Anchorages have to be designed under the responsibility of an engineer experienced in anchorages and concrete work
- Verifiable calculation notes and drawings are prepared taking account of the loads to be anchored. The position of the anchor is indicated on the design drawings (e.g. position of the anchor relative to reinforcement or to supports, etc.)
- Anchorages under static or quasi-static actions are designed in accordance with TR 029 "Design of bonded anchors", Edition September 2010 or CEN/TS 1992-4:2009

**Installation:**

- Anchor installation carried out by appropriately qualified personnel and under the supervision of the person responsible for technical matters of the site
- Overhead installation allowed

**fischer injection system FIS VL**

**Intended Use Specifications**

**Annex B 1**

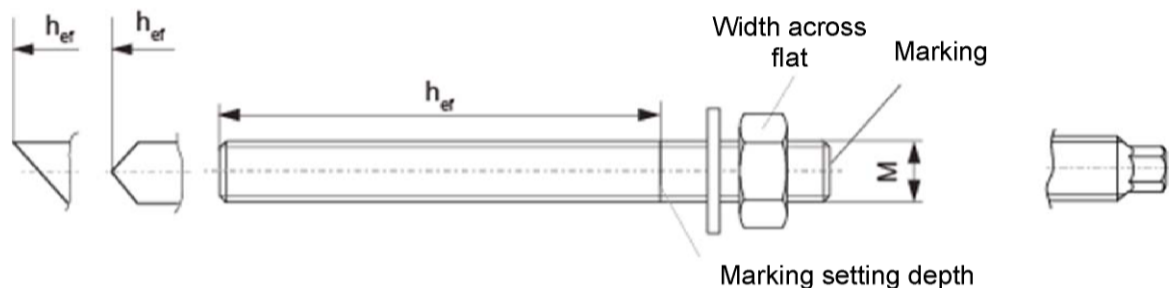


**Table B2: Installation parameters threaded rods**

| Size  |  | M6                       | M8  | M10 | M12 | M16             | M20 | M24 | M27 | M30 |
|---|--|--------------------------|-----|-----|-----|-----------------|-----|-----|-----|-----|
| Width across flat                                       | SW [mm]                                | 10                       | 13  | 17  | 19  | 24              | 30  | 36  | 41  | 46  |
| Nominal drill bit diameter                              | $d_0$ [mm]                             | 8                        | 10  | 12  | 14  | 18              | 24  | 28  | 30  | 35  |
| Drill hole depth  | $h_0$ [mm]                             | $h_0 = h_{ef}$           |     |     |     |                 |     |     |     |     |
| Effective anchorage depth                               | $h_{ef,min}$ [mm]                      | 50                       | 60  | 60  | 70  | 80              | 90  | 96  | 108 | 120 |
|   | $h_{ef,max}$ [mm]                      | 72                       | 160 | 200 | 240 | 320             | 400 | 480 | 540 | 600 |
| Maximum torque moment                                   | $T_{inst,max}$ [Nm]                    | 5                        | 10  | 20  | 40  | 60              | 120 | 150 | 200 | 300 |
| Minimum spacing   | $s_{min}$ [mm]                         | 40                       | 40  | 45  | 55  | 65              | 85  | 105 | 125 | 140 |
| Minimum edge distance                                   | $c_{min}$ [mm]                         | 40                       | 40  | 45  | 55  | 65              | 85  | 105 | 125 | 140 |
| Diameter of clearance hole in the fixture <sup>1)</sup> | Pre-positioned anchorage<br>$d_f$ [mm] | 7                        | 9   | 12  | 14  | 18              | 22  | 26  | 30  | 33  |
|   | Push through anchorage<br>$d_f$ [mm]   | 9                        | 11  | 14  | 16  | 20              | 26  | 30  | 32  | 40  |
| Minimum thickness of concrete member                    | $h_{min}$ [mm]                         | $h_{ef} + 30 (\geq 100)$ |     |     |     | $h_{ef} + 2d_0$ |     |     |     |     |

<sup>1)</sup> For larger clearance holes in the fixture see TR 029, 4.2.2.1 or CEN/TS 1992-4-1:2009, 5.2.3.1

**fischer threaded rods FIS A and RGM**



**Marking:**

- Property class 8.8 or high corrosion-resistant steel C, property class 80: •
- Stainless steel A4, property class 50 or high corrosion-resistant steel C, property class 50:••

**Commercial standard threaded rods, washers and hexagon nuts may also be used if the following requirements are fulfilled:**

- Materials, dimensions and mechanical properties according Annex A 3, Table A1
- Inspection certificate 3.1 according to EN 10204:2004, the documents should be stored
- Marking of embedment depth

**fischer injection system FIS VL**

**Intended Use**  
Installation parameters threaded rods

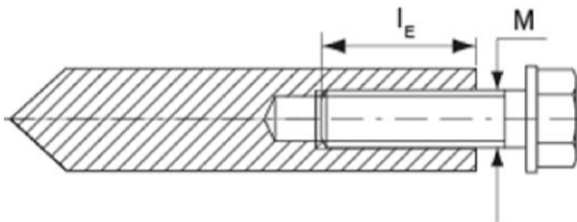
**Annex B 2**

**Table B3: Installation parameters internal threaded anchors RG MI**

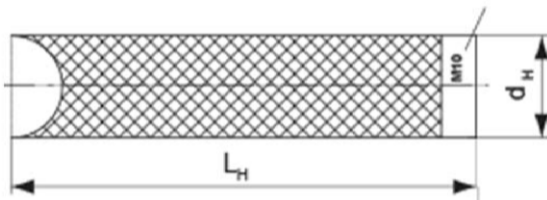
| Size  |                |      | M8             | M10 | M12 | M16 | M20 |
|---|----------------|------|----------------|-----|-----|-----|-----|
| Diameter of anchor                                      | $d_H$          | [mm] | 12             | 16  | 18  | 22  | 28  |
| Nominal drill bit diameter                              | $d_0$          | [mm] | 14             | 18  | 20  | 24  | 32  |
| Drill hole depth  | $h_0$          | [mm] | $h_0 = h_{ef}$ |     |     |     |     |
| Effective anchorage depth ( $h_{ef} = L_H$ )            | $h_{ef}$       | [mm] | 90             | 90  | 125 | 160 | 200 |
| Maximum torque moment                                   | $T_{inst,max}$ | [Nm] | 10             | 20  | 40  | 80  | 120 |
| Minimum spacing   | $s_{min}$      | [mm] | 55             | 65  | 75  | 95  | 125 |
| Minimum edge distance                                   | $c_{min}$      | [mm] | 55             | 65  | 75  | 95  | 125 |
| Diameter of clearance hole in the fixture <sup>1)</sup> | $d_f$          | [mm] | 9              | 12  | 14  | 18  | 22  |
| Minimum thickness of concrete member                    | $h_{min}$      | [mm] | 120            | 125 | 165 | 210 | 265 |
| Maximum screw-in depth                                  | $l_{E,max}$    | [mm] | 18             | 23  | 26  | 35  | 45  |
| Minimum screw-in depth                                  | $l_{E,min}$    | [mm] | 8              | 10  | 12  | 16  | 20  |

<sup>1)</sup> For larger clearance holes in the fixture see TR 029, 4.2.2.1 or CEN/TS 1992-4-1:2009, 5.2.3.1

**fischer internal threaded anchor RG MI**



Marking



Marking: anchor size e.g.: M10  
Stainless steel in addition A4 e.g.: M10 A4  
High corrosion-resistant steel in addition C  
e.g.: M10 C

Fastening screw or threaded rods including washer and nuts must comply with the appropriate material and strength class of table A1

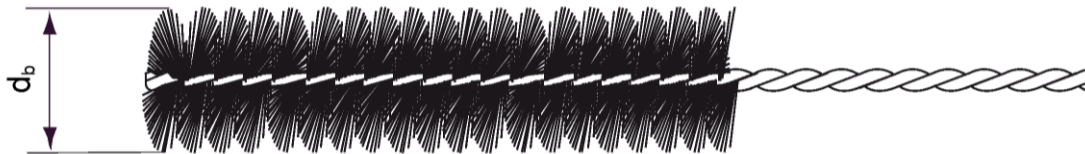
**fischer injection system FIS VL**

**Intended Use**  
Installation parameters internal threaded anchors RG MI

**Annex B 3**

**Table B4: Parameters of steel brush FIS BS Ø**

|                            |      |   |    |    |    |    |    |    |    |    |    |    |    |
|----------------------------|------|---|----|----|----|----|----|----|----|----|----|----|----|
| Drill bit diameter         | [mm] | 8 | 10 | 12 | 14 | 16 | 18 | 20 | 24 | 25 | 28 | 30 | 35 |
| Steel brush diameter $d_b$ | [mm] | 9 | 11 | 14 | 16 | 20 | 20 | 25 | 26 | 27 | 30 | 40 | 40 |



**Table B5: Maximum processing time of the mortar and minimum curing time**  
(During the curing time of the mortar the concrete temperature may not fall below the listed minimum temperature).

| Temperature at anchoring base [ °C ] |    |     | Minimum curing time <sup>1)</sup> $t_{cure}$<br>[ minutes ] |          |                  | System temperature (mortar) [ °C ] | Maximum processing time $t_{work}$<br>[ minutes ] |        |                  |
|--------------------------------------|----|-----|---|----------|------------------|------------------------------------|---|--------|------------------|
|                                      |    |     | FIS VL High Speed   | FIS VL   | FIS VL Low Speed |                                    | FIS VL High Speed                                 | FIS VL | FIS VL Low Speed |
| -10                                  | to | -5  | 12 hours  |          |                  |                                    |   |        |                  |
| >-5                                  | to | ±0  | 3 hours   | 24 hours |                  | ±0                                 | 5   |        |                  |
| >±0                                  | to | +5  | 3 hours   | 3 hours  | 6 hours          | +5                                 | 5   | 13     |                  |
| >+5                                  | to | +10 | 50  | 90       | 3 hours          | +10                                | 3   | 9      | 20               |
| >+10                                 | to | +20 | 30  | 60       | 2 hours          | +20                                | 1   | 5      | 10               |
| >+20                                 | to | +30 |   | 45       | 60               | +30                                |   | 4      | 6                |
| >+30                                 | to | +40 |   | 35       | 30               | +40                                |   | 2      | 4                |

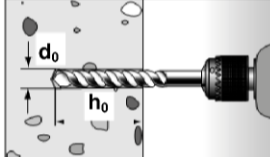
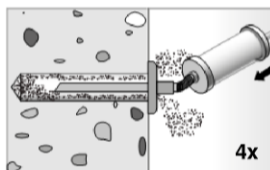
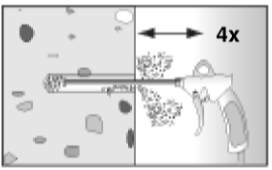
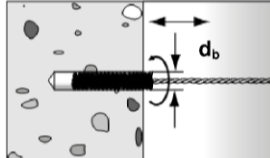
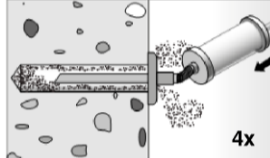
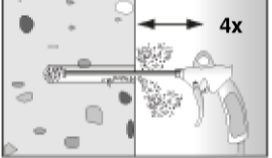
<sup>1)</sup> For wet concrete or flooded hole the curing time must be doubled.

**fischer injection system FIS VL**

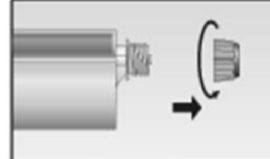
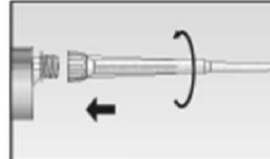


**Intended Use**  
Cleaning tools / Processing - and curing times

**Annex B 4**

**Installation instructions part 1**  
**Drilling and cleaning the hole**

|   |  |  |  |
|---|--|--|--|
| 1 |   | <p>Drill the hole. Drill hole diameter <math>d_0</math> and drill hole depth <math>h_0</math> see Tables <b>B2</b>, <b>B3</b>.</p> |  |
| 2 |   | <p><math>h_{ef} \leq 12d</math> and <math>d_0 &lt; 18</math> mm: Blow out the drill hole four times by hand.</p>                   |  <p><math>h_{ef} &gt; 12d</math> and/or <math>d_0 \geq 18</math> mm: Blow out the drill hole four times, using oil-free compressed air (<math>p &gt; 6</math> bar).</p>  |
| 3 |   | <p>Brush the drill hole four times using an adequate steel brush (see Table <b>B4</b>).</p>  |  |
| 4 |  | <p><math>h_{ef} \leq 12d</math> and <math>d_0 &lt; 18</math> mm: Blow out the drill hole four times by hand.</p>                   |  <p><math>h_{ef} &gt; 12d</math> and/or <math>d_0 \geq 18</math> mm: Blow out the drill hole four times, using oil-free compressed air (<math>p &gt; 6</math> bar).</p> |

**Preparing the cartridge**

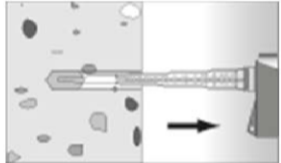
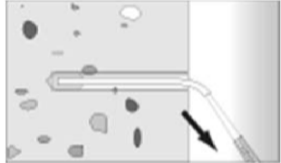
|   |   |   |
|---|---|---|
| 5 |  | <p>Twist off the sealing cap.</p>   |
| 6 |  | <p>Twist on the static mixer (the spiral in the static mixer must be clearly visible).</p>  |
| 7 |  | <p>Place the cartridge into the suitable dispenser.</p>   |
| 8 |  | <p>Press out approximately 10 cm of mortar until the resin is permanently grey in colour. mortar which is not grey in colour will not cure and must be disposed of.</p> |

fischer injection system FIS VL

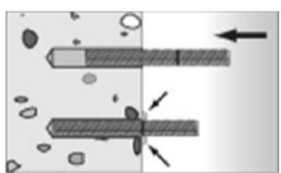
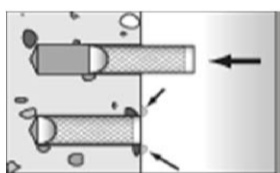
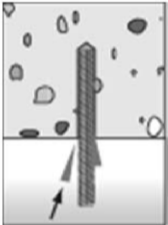
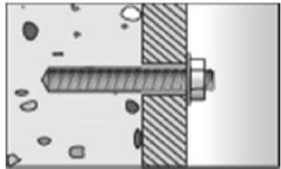

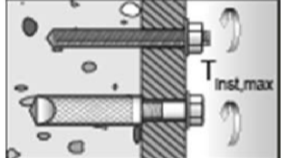
Intended Use  
Installation instructions part 1

Annex B 5

**Installation instructions part 2**  
**Injection of the mortar**

|   |   |   |  |
|---|---|---|--|
| 9 |  | <p>Fill approximately 2/3 of the drill hole with mortar. Always begin from the bottom of the hole to eliminate voids.</p> |  <p>For drill hole depth <math>\geq 150</math> mm use an extension tube.</p> |
|---|---|---|--|

**Installation fischer threaded rods or internal threaded anchors RG MI**

|    |   |  |   |
|----|---|--|---|
| 10 |    |     | <p>Only use clean and oil-free anchor elements. Press the anchor rod or internal threaded anchor RG MI down to the bottom of the hole, turning it slightly while doing so. After inserting the anchor element, excess mortar must emerge around the anchor element.</p> |
|    |   | <p>For overhead installation support the anchor element with wedges.</p>             |  <p>For push-through installation fill the annular gap also with mortar.</p>   |
| 11 |  | <p>Wait for the specified curing time <math>t_{\text{cure}}</math> see Table B5.</p> |   |
| 12 |  | <p>Mounting the fixture<br/><math>T_{\text{inst,max}}</math> see Tables B2 or B3</p> |   |

**fischer injection system FIS VL**

**Intended Use**  
Installation instructions part 2

**Annex B 6**

**Table C1: Characteristic values of resistance for threaded rods under tension loads in un-cracked and cracked concrete (Design according to TR 029)**

| Size   |                        |                 | M6                   | M8  | M10  | M12  | M16  | M20               | M24 | M27 | M30 |     |  |
|--|------------------------|-----------------|----------------------|-----|------|------|------|-------------------|-----|-----|-----|-----|--|
| Installation safety factor   | Dry and wet concrete   | $\gamma_2$      | [-]                  |     |      |      |      |                   |     |     |     | 1,2 |  |
|  | Flooded hole           |                 | [-]                  |     |      | --   |      | 1,4 <sup>1)</sup> |     |     |     |     |  |
| <b>Combined pullout and concrete cone failure</b>  |                        |                 |                      |     |      |      |      |                   |     |     |     |     |  |
| Diameter of calculation  |                        | d               | [mm]                 | 6   | 8    | 10   | 12   | 16                | 20  | 24  | 27  | 30  |  |
| <b>Characteristic bond resistance in un-cracked concrete C20/25. Dry and wet concrete</b>      |                        |                 |                      |     |      |      |      |                   |     |     |     |     |  |
| Temperature range I <sup>2)</sup>  |                        | $\tau_{Rk,ucr}$ | [N/mm <sup>2</sup> ] | 9,0 | 11,0 | 11,0 | 11,0 | 10,0              | 9,5 | 9,0 | 8,5 | 8,5 |  |
| Temperature range II <sup>2)</sup>   |                        | $\tau_{Rk,ucr}$ | [N/mm <sup>2</sup> ] | 6,5 | 9,5  | 9,5  | 9,0  | 8,5               | 8,0 | 7,5 | 7,0 | 7,0 |  |
| <b>Characteristic bond resistance in un-cracked concrete C20/25. Flooded hole<sup>1)</sup></b> |                        |                 |                      |     |      |      |      |                   |     |     |     |     |  |
| Temperature range I <sup>2)</sup>  |                        | $\tau_{Rk,ucr}$ | [N/mm <sup>2</sup> ] | --  | --   | --   | 9,5  | 8,5               | 8,0 | 7,5 | 7,0 | 7,0 |  |
| Temperature range II <sup>2)</sup>   |                        | $\tau_{Rk,ucr}$ | [N/mm <sup>2</sup> ] | --  | --   | --   | 7,5  | 7,0               | 6,5 | 6,0 | 6,0 | 6,0 |  |
| <b>Characteristic bond resistance in cracked concrete C20/25. Dry and wet concrete</b>         |                        |                 |                      |     |      |      |      |                   |     |     |     |     |  |
| Temperature range I <sup>2)</sup>  |                        | $\tau_{Rk,cr}$  | [N/mm <sup>2</sup> ] | --  | --   | 6,0  | 6,0  | 6,0               | 5,5 | --  | --  | --  |  |
| Temperature range II <sup>2)</sup>   |                        | $\tau_{Rk,cr}$  | [N/mm <sup>2</sup> ] | --  | --   | 5,0  | 5,0  | 5,0               | 5,0 | --  | --  | --  |  |
| <b>Characteristic bond resistance in cracked concrete C20/25. Flooded hole<sup>1)</sup></b>    |                        |                 |                      |     |      |      |      |                   |     |     |     |     |  |
| Temperature range I <sup>2)</sup>  |                        | $\tau_{Rk,cr}$  | [N/mm <sup>2</sup> ] | --  | --   | --   | 5,0  | 5,0               | 4,5 | --  | --  | --  |  |
| Temperature range II <sup>2)</sup>   |                        | $\tau_{Rk,cr}$  | [N/mm <sup>2</sup> ] | --  | --   | --   | 4,0  | 4,0               | 3,5 | --  | --  | --  |  |
| Increasing factor $\psi_c$   | C25/30                 | [-]             | 1,05                 |     |      |      |      |                   |     |     |     |     |  |
|  | C30/37                 | [-]             | 1,10                 |     |      |      |      |                   |     |     |     |     |  |
|  | C35/45                 | [-]             | 1,15                 |     |      |      |      |                   |     |     |     |     |  |
|  | C40/50                 | [-]             | 1,19                 |     |      |      |      |                   |     |     |     |     |  |
|  | C45/55                 | [-]             | 1,22                 |     |      |      |      |                   |     |     |     |     |  |
|  | C50/60                 | [-]             | 1,26                 |     |      |      |      |                   |     |     |     |     |  |
| <b>Splitting failure</b>   |                        |                 |                      |     |      |      |      |                   |     |     |     |     |  |
| Edge distance $c_{cr,sp}$  | $h/h_{ef} \geq 2,0$    | [mm]            | 1,0 $h_{ef}$         |     |      |      |      |                   |     |     |     |     |  |
|  | $2,0 > h/h_{ef} > 1,3$ | [mm]            | 4,6 $h_{ef} - 1,8 h$ |     |      |      |      |                   |     |     |     |     |  |
|  | $h/h_{ef} \leq 1,3$    | [mm]            | 2,26 $h_{ef}$        |     |      |      |      |                   |     |     |     |     |  |
| Spacing  | $s_{cr,sp}$            | [mm]            | 2 $c_{cr,sp}$        |     |      |      |      |                   |     |     |     |     |  |

<sup>1)</sup> Only coaxial cartridges: 380 ml, 400 ml and 410 ml

<sup>2)</sup> See Annex B1

**fischer injection system FIS VL**

**Performances**

Characteristic values of resistance for threaded rods under tension loads in un-cracked and cracked concrete (Design according to TR 029)

**Annex C 1**

**Table C2: Characteristic values of resistance for internal threaded anchors RG MI under tension loads in un-cracked concrete (Design according to TR 029)**

| Size   |                        |            |      | M8                   | M10 | M12 | M16 | M20 |
|--|------------------------|------------|------|----------------------|-----|-----|-----|-----|
| Installation safety factor   | Dry and wet concrete   | $\gamma_2$ | [-]  | 1,2                  |     |     |     |     |
|  | Flooded hole           |            | [-]  | 1,4 <sup>1)</sup>    |     |     |     |     |
| <b>Steel failure</b>   |                        |            |      |                      |     |     |     |     |
| Characteristic resistance with screw $N_{Rk,s}$  | Property class         | 5.8        | [kN] | 19                   | 29  | 43  | 79  | 123 |
|  |                        | 8.8        | [kN] | 29                   | 47  | 68  | 108 | 179 |
|  | Property class         | A4         | [kN] | 26                   | 41  | 59  | 110 | 172 |
|  |                        | C          | [kN] | 26                   | 41  | 59  | 110 | 172 |
| <b>Combined pullout and concrete cone failure</b>  |                        |            |      |                      |     |     |     |     |
| Diameter of calculation  | $d_H$                  | [mm]       |      | 12                   | 16  | 18  | 22  | 28  |
| <b>Characteristic bond resistance in un-cracked concrete C20/25. Dry and wet concrete</b>      |                        |            |      |                      |     |     |     |     |
| Temperature range I <sup>2)</sup>  | $N_{Rk,p}^0$           | [kN]       |      | 30                   | 40  | 50  | 75  | 115 |
| Temperature range II <sup>2)</sup>   | $N_{Rk,p}^0$           | [kN]       |      | 25                   | 30  | 40  | 60  | 95  |
| <b>Characteristic bond resistance in un-cracked concrete C20/25. Flooded hole<sup>1)</sup></b> |                        |            |      |                      |     |     |     |     |
| Temperature range I <sup>2)</sup>  | $N_{Rk,p}^0$           | [kN]       |      | 25                   | 35  | 50  | 60  | 95  |
| Temperature range II <sup>2)</sup>   | $N_{Rk,p}^0$           | [kN]       |      | 20                   | 25  | 35  | 50  | 75  |
| Increasing factor $\Psi_c$   | C25/30                 | [-]        |      | 1,05                 |     |     |     |     |
|  | C30/37                 | [-]        |      | 1,10                 |     |     |     |     |
|  | C35/45                 | [-]        |      | 1,15                 |     |     |     |     |
|  | C40/50                 | [-]        |      | 1,19                 |     |     |     |     |
|  | C45/55                 | [-]        |      | 1,22                 |     |     |     |     |
|  | C50/60                 | [-]        |      | 1,26                 |     |     |     |     |
| <b>Splitting failure</b>   |                        |            |      |                      |     |     |     |     |
| Edge distance $c_{cr,sp}$  | $h/h_{ef} \geq 2,0$    | [mm]       |      | $1,0 h_{ef}$         |     |     |     |     |
|  | $2,0 > h/h_{ef} > 1,3$ | [mm]       |      | $4,6 h_{ef} - 1,8 h$ |     |     |     |     |
|  | $h/h_{ef} \leq 1,3$    | [mm]       |      | $2,26 h_{ef}$        |     |     |     |     |
| Spacing  | $s_{cr,sp}$            | [mm]       |      | $2 c_{cr,sp}$        |     |     |     |     |

<sup>1)</sup> Only coaxial cartridges: 380 ml, 400 ml and 410 ml

<sup>2)</sup> See Annex B1

**Table C3: Characteristic values of resistance for threaded rods under shear loads (Design according to TR 029)**

| Size  |   |     |  | M6  | M8 | M10 | M12 | M16 | M20 | M24 | M27 | M30 |
|---|---|-----|--|-----|----|-----|-----|-----|-----|-----|-----|-----|
| <b>Concrete pryout failure</b>  |   |     |  |     |    |     |     |     |     |     |     |     |
| Factor k in equation (5.7) of TR 029 for the design of bonded anchors | k | [-] |  | 2,0 |    |     |     |     |     |     |     |     |

**fischer injection system FIS VL**

**Performances**

Characteristic values of resistance for internal threaded rods under tension loads in un-cracked concrete and for threaded rods under shear loads (Design according to TR 029)

**Annex C 2**

**Table C4: Characteristic values of resistance for internal threaded rods RG MI under shear loads  
(Design according to TR 029)**

| Size  |                   |     |      | M8   | M10  | M12  | M16  | M20  |
|---|-------------------|-----|------|------|------|------|------|------|
| Installation safety factor  | $\gamma_2$        | [-] |      | 1,2  |      |      |      |      |
| <b>Steel failure without lever arm</b>                                |                   |     |      |      |      |      |      |      |
| Characteristic resistance $V_{Rk,s}$                                  | Property class    | 5.8 | [kN] | 9,2  | 14,5 | 21,1 | 39,2 | 62,0 |
|   |                   | 8.8 | [kN] | 14,6 | 23,2 | 33,7 | 62,7 | 90,0 |
|   | Property class 70 | A4  | [kN] | 12,8 | 20,3 | 29,5 | 54,8 | 86,0 |
|   |                   | C   | [kN] | 12,8 | 20,3 | 29,5 | 54,8 | 86,0 |
| <b>Steel failure with lever arm</b>                                   |                   |     |      |      |      |      |      |      |
| Characteristic resistance $M_{Rk,s}^0$                                | Property class    | 5.8 | [Nm] | 20   | 39   | 68   | 173  | 337  |
|   |                   | 8.8 | [Nm] | 30   | 60   | 105  | 266  | 519  |
|   | Property class 70 | A4  | [Nm] | 26   | 52   | 92   | 232  | 454  |
|   |                   | C   | [Nm] | 26   | 52   | 92   | 232  | 454  |
| <b>Concrete pryout failure</b>  |                   |     |      |      |      |      |      |      |
| Factor k in equation (5.7) of TR 029 for the design of bonded anchors | k                 | [-] |      | 2,0  |      |      |      |      |

**fischer injection system FIS VL**

**Performances**

Characteristic values of resistance for internal threaded anchors RG MI under shear loads  
(Design according to TR 029)

**Annex C 3**



**Table C5: Characteristic values of resistance for threaded rods under tension loads in un-cracked and cracked concrete (Design according to CEN/TS 1992-4)**

| Size   |                        |                      | M6                   | M8   | M10  | M12               | M16  | M20 | M24 | M27 | M30 |
|--|------------------------|----------------------|----------------------|------|------|-------------------|------|-----|-----|-----|-----|
| Installation safety factor $\gamma_{inst}$   | Dry and wet concrete   | [-]                  | 1,2                  |      |      |                   |      |     |     |     |     |
|  | Flooded hole           | [-]                  | --                   |      |      | 1,4 <sup>1)</sup> |      |     |     |     |     |
| <b>Steel failure</b>   |                        |                      |                      |      |      |                   |      |     |     |     |     |
| Characteristic resistance  | $N_{Rk,s}$             | [kN]                 | $A_s \times f_{uk}$  |      |      |                   |      |     |     |     |     |
| <b>Combined pullout and concrete cone failure</b>  |                        |                      |                      |      |      |                   |      |     |     |     |     |
| Diameter of calculation  | d                      | [mm]                 | 6                    | 8    | 10   | 12                | 16   | 20  | 24  | 27  | 30  |
| <b>Characteristic bond resistance in un-cracked concrete C20/25. Dry and wet concrete</b>      |                        |                      |                      |      |      |                   |      |     |     |     |     |
| Temperature range I <sup>2)</sup>  | $\tau_{Rk,ucr}$        | [N/mm <sup>2</sup> ] | 9,0                  | 11,0 | 11,0 | 11,0              | 10,0 | 9,5 | 9,0 | 8,5 | 8,5 |
| Temperature range II <sup>2)</sup>   | $\tau_{Rk,ucr}$        | [N/mm <sup>2</sup> ] | 6,5                  | 9,5  | 9,5  | 9,0               | 8,5  | 8,0 | 7,5 | 7,0 | 7,0 |
| <b>Characteristic bond resistance in un-cracked concrete C20/25. Flooded hole<sup>1)</sup></b> |                        |                      |                      |      |      |                   |      |     |     |     |     |
| Temperature range I <sup>2)</sup>  | $\tau_{Rk,ucr}$        | [N/mm <sup>2</sup> ] | --                   | --   | --   | 9,5               | 8,5  | 8,0 | 7,5 | 7,0 | 7,0 |
| Temperature range II <sup>2)</sup>   | $\tau_{Rk,ucr}$        | [N/mm <sup>2</sup> ] | --                   | --   | --   | 7,5               | 7,0  | 6,5 | 6,0 | 6,0 | 6,0 |
| <b>Characteristic bond resistance in cracked concrete C20/25. Dry and wet concrete</b>         |                        |                      |                      |      |      |                   |      |     |     |     |     |
| Temperature range I <sup>2)</sup>  | $\tau_{Rk,cr}$         | [N/mm <sup>2</sup> ] | --                   | --   | 6,0  | 6,0               | 6,0  | 5,5 | --  | --  | --  |
| Temperature range II <sup>2)</sup>   | $\tau_{Rk,cr}$         | [N/mm <sup>2</sup> ] | --                   | --   | 5,0  | 5,0               | 5,0  | 5,0 | --  | --  | --  |
| <b>Characteristic bond resistance in cracked concrete C20/25. Flooded hole<sup>1)</sup></b>    |                        |                      |                      |      |      |                   |      |     |     |     |     |
| Temperature range I <sup>2)</sup>  | $\tau_{Rk,cr}$         | [N/mm <sup>2</sup> ] | --                   | --   | --   | 5,0               | 5,0  | 4,5 | --  | --  | --  |
| Temperature range II <sup>2)</sup>   | $\tau_{Rk,cr}$         | [N/mm <sup>2</sup> ] | --                   | --   | --   | 4,0               | 4,0  | 4,0 | --  | --  | --  |
| Increasing factor $\Psi_c$   | C25/30                 | [-]                  | 1,05                 |      |      |                   |      |     |     |     |     |
|  | C30/37                 | [-]                  | 1,10                 |      |      |                   |      |     |     |     |     |
|  | C35/45                 | [-]                  | 1,15                 |      |      |                   |      |     |     |     |     |
|  | C40/50                 | [-]                  | 1,19                 |      |      |                   |      |     |     |     |     |
|  | C45/55                 | [-]                  | 1,22                 |      |      |                   |      |     |     |     |     |
|  | C50/60                 | [-]                  | 1,26                 |      |      |                   |      |     |     |     |     |
| Factor acc. CEN/TS 1992-4:2009 Section 6.2.2.3   | $k_8$                  | cracked concrete     | [-]                  | 7,2  |      |                   |      |     |     |     |     |
|  | $k_8$                  | un-cracked concrete  | [-]                  | 10,1 |      |                   |      |     |     |     |     |
| <b>Concrete cone failure</b>   |                        |                      |                      |      |      |                   |      |     |     |     |     |
| Factor acc. CEN/TS 1992-4:2009 Section 6.2.3.1   | $k_{cr}$               | cracked concrete     | [-]                  | 7,2  |      |                   |      |     |     |     |     |
|  | $k_{ucr}$              | un-cracked concrete  | [-]                  | 10,1 |      |                   |      |     |     |     |     |
| Edge distance $c_{cr,sp}$  | $h/h_{ef} \geq 2,0$    | [mm]                 | 1,0 $h_{ef}$         |      |      |                   |      |     |     |     |     |
|  | $2,0 > h/h_{ef} > 1,3$ | [mm]                 | 4,6 $h_{ef} - 1,8 h$ |      |      |                   |      |     |     |     |     |
|  | $h/h_{ef} \leq 1,3$    | [mm]                 | 2,26 $h_{ef}$        |      |      |                   |      |     |     |     |     |
| Spacing  | $s_{cr,sp}$            | [mm]                 | 2 $c_{cr,sp}$        |      |      |                   |      |     |     |     |     |

<sup>1)</sup> Only coaxial cartridges: 380 ml, 400 ml and 410 ml

<sup>2)</sup> See Annex B1

fischer injection system FIS VL

**Performances**

Characteristic values of resistance for threaded rods under tension loads in un-cracked and cracked concrete (Design according to CEN/TS-1992-4)

**Annex C 4**

**Table C6: Characteristic values of resistance for internal threaded anchors RG MI under tension loads in un-cracked concrete (Design according to CEN/TS 1992-4)**

| Size  |                        |      | M8                   | M10  | M12 | M16 | M20 |     |
|---|------------------------|------|----------------------|------|-----|-----|-----|-----|
| Installation safety factor $\gamma_{inst}$                          | Dry and wet concrete   | [-]  | 1,2                  |      |     |     |     |     |
|   | Flooded hole           | [-]  | 1,4 <sup>1)</sup>    |      |     |     |     |     |
| <b>Steel failure</b>  |                        |      |                      |      |     |     |     |     |
| Characteristic resistance with screw $N_{Rk,s}$                     | Property class         | 5.8  | [kN]                 | 19   | 29  | 43  | 79  | 123 |
|   |                        | 8.8  | [kN]                 | 29   | 47  | 68  | 108 | 179 |
|   | Property class 70      | A4   | [kN]                 | 26   | 41  | 59  | 110 | 172 |
|   |                        | C    | [kN]                 | 26   | 41  | 59  | 110 | 172 |
| Partial safety factor $\gamma_{Ms,N}$ <sup>3)</sup>                 | Property class         | 5.8  | [-]                  | 1,50 |     |     |     |     |
|   |                        | 8.8  | [-]                  | 1,50 |     |     |     |     |
|   | Property class 70      | A4   | [-]                  | 1,87 |     |     |     |     |
|   |                        | C    | [-]                  | 1,87 |     |     |     |     |
| <b>Combined pullout and concrete cone failure</b>                   |                        |      |                      |      |     |     |     |     |
| Diameter of calculation   | d                      | [mm] | 12                   | 16   | 18  | 22  | 28  |     |
| <b>Characteristic bond resistance in un-cracked concrete C20/25</b> |                        |      |                      |      |     |     |     |     |
| <b>Dry and wet concrete</b>   |                        |      |                      |      |     |     |     |     |
| Temperature range I <sup>2)</sup>                                   | $N_{Rk,p}^0$           | [kN] | 30                   | 40   | 50  | 75  | 115 |     |
| Temperature range II <sup>2)</sup>                                  | $N_{Rk,p}^0$           | [kN] | 25                   | 30   | 40  | 60  | 95  |     |
| <b>Characteristic bond resistance in un-cracked concrete C20/25</b> |                        |      |                      |      |     |     |     |     |
| <b>Flooded hole<sup>1)</sup></b>                                    |                        |      |                      |      |     |     |     |     |
| Temperature range I <sup>2)</sup>                                   | $N_{Rk,p}^0$           | [kN] | 25                   | 35   | 50  | 60  | 95  |     |
| Temperature range II <sup>2)</sup>                                  | $N_{Rk,p}^0$           | [kN] | 20                   | 25   | 35  | 50  | 75  |     |
| Increasing factor $\Psi_c$  | C25/30                 | [-]  | 1,05                 |      |     |     |     |     |
|   | C30/37                 | [-]  | 1,10                 |      |     |     |     |     |
|   | C35/45                 | [-]  | 1,15                 |      |     |     |     |     |
|   | C40/50                 | [-]  | 1,19                 |      |     |     |     |     |
|   | C45/55                 | [-]  | 1,22                 |      |     |     |     |     |
|   | C50/60                 | [-]  | 1,26                 |      |     |     |     |     |
| Factor acc. CEN/TS 1992-4-5:2009 Section 6.2.2.3                    | $k_8$                  | [-]  | 10,1                 |      |     |     |     |     |
| <b>Concrete cone failure</b>  |                        |      |                      |      |     |     |     |     |
| Factor acc. CEN/TS 1992-4-5:2009 Section 6.2.3.1                    | $k_{ucr}$              | [-]  | 10,1                 |      |     |     |     |     |
| Edge distance $c_{cr,sp}$   | $h/h_{ef} \geq 2,0$    | [mm] | $1,0 h_{ef}$         |      |     |     |     |     |
|   | $2,0 > h/h_{ef} > 1,3$ | [mm] | $4,6 h_{ef} - 1,8 h$ |      |     |     |     |     |
|   | $h/h_{ef} \leq 1,3$    | [mm] | $2,26 h_{ef}$        |      |     |     |     |     |
| Spacing   | $s_{cr,sp}$            | [mm] | $2 c_{cr,sp}$        |      |     |     |     |     |

<sup>1)</sup> Only coaxial cartridges: 380 ml, 400 ml and 410 ml

<sup>2)</sup> See Annex B1

<sup>3)</sup> In absence of other national regulations

**fischer injection system FIS VL**

**Performances**

Characteristic values of resistance for internal threaded anchors RG MI under tension loads in un-cracked concrete (Design according to CEN/TS 1992-4)

**Annex C 5**

**Table C7: Characteristic values of resistance for threaded rods under shear loads (Design according to CEN/TS 1992-4)**

| Size  |                 |      | M6                                | M8 | M10 | M12 | M16 | M20 | M24 | M27 | M30 |
|---|-----------------|------|-----------------------------------|----|-----|-----|-----|-----|-----|-----|-----|
| Installation safety factor                                    | $\gamma_{inst}$ | [-]  | 1,2                               |    |     |     |     |     |     |     |     |
| <b>Steel failure without lever arm</b>                        |                 |      |                                   |    |     |     |     |     |     |     |     |
| Characteristic resistance                                     | $V_{Rk,s}$      | [kN] | 0,5 $A_s \times f_{uk}$           |    |     |     |     |     |     |     |     |
| Ductility factor acc. to CEN/TS 1992-4-5:2009 Section 6.3.2.1 | $k_2$           | [-]  | 0,8                               |    |     |     |     |     |     |     |     |
| <b>Steel failure with lever arm</b>                           |                 |      |                                   |    |     |     |     |     |     |     |     |
| Characteristic resistance                                     | $M^0_{Rk,s}$    | [Nm] | 1,2 $\times W_{el} \times f_{uk}$ |    |     |     |     |     |     |     |     |
| <b>Concrete pryout failure</b>                                |                 |      |                                   |    |     |     |     |     |     |     |     |
| Factor in equation of CEN/TS 1992-4-5:2009 Section 6.3.3      | $k_3$           | [-]  | 2,0                               |    |     |     |     |     |     |     |     |
| <b>Concrete edge failure</b>                                  |                 |      |                                   |    |     |     |     |     |     |     |     |
| Effective length of anchor                                    | $l_f$           | [mm] | $l_f = \min(h_{ef}, 8 d_{nom})$   |    |     |     |     |     |     |     |     |
| Outside diameter of anchor                                    | $d_{nom}$       | [mm] | 6                                 | 8  | 10  | 12  | 16  | 20  | 24  | 27  | 30  |

**Table C8: Characteristic values of resistance for internal threaded rods RG MI under shear loads in un-cracked concrete (Design according to CEN/TS 1992-4)**

| Size  |                   |      | M8   | M10  | M12  | M16  | M20  |      |
|---|-------------------|------|------|------|------|------|------|------|
| Installation safety factor                                    | $\gamma_{inst}$   | [-]  | 1,2  |      |      |      |      |      |
| <b>Steel failure without lever arm</b>                        |                   |      |      |      |      |      |      |      |
| Characteristic resistance<br>$V_{Rk,s}$                       | Property class    | 5.8  | [kN] | 9,2  | 14,5 | 21,1 | 39,2 | 62,0 |
|   |                   | 8.8  | [kN] | 14,6 | 23,2 | 33,7 | 62,7 | 90,0 |
|   | Property class 70 | A4   | [kN] | 12,8 | 20,3 | 29,5 | 54,8 | 86,0 |
|   |                   | C    | [kN] | 12,8 | 20,3 | 29,5 | 54,8 | 86,0 |
| Ductility factor acc. to CEN/TS 1992-4-5:2009 Section 6.3.2.1 | $k_2$             | [-]  | 0,8  |      |      |      |      |      |
| <b>Steel failure with lever arm</b>                           |                   |      |      |      |      |      |      |      |
| Characteristic resistance<br>$M^0_{Rk,s}$                     | Property class    | 5.8  | [Nm] | 20   | 39   | 68   | 173  | 337  |
|   |                   | 8.8  | [Nm] | 30   | 60   | 105  | 266  | 519  |
|   | Property class 70 | A4   | [Nm] | 26   | 52   | 92   | 232  | 454  |
|   |                   | C    | [Nm] | 26   | 52   | 92   | 232  | 454  |
| <b>Concrete pryout failure</b>                                |                   |      |      |      |      |      |      |      |
| Factor in equation of CEN/TS 1992-4-5:2009 Section 6.3.3      | $k_3$             | [-]  | 2,0  |      |      |      |      |      |
| <b>Concrete edge failure</b>                                  |                   |      |      |      |      |      |      |      |
| Outside diameter of anchor                                    | $d_{nom}$         | [mm] | 12   | 16   | 18   | 22   | 28   |      |

**fischer injection system FIS VL**

**Performances**  
Characteristic values of resistance for threaded rods and internal threaded anchors RG MI under shear loads (Design according to CEN/TS 1992-4)

**Annex C 6**

**Table C9: Displacements under tension load <sup>1)</sup> for threaded rods**

| Size                       |                         | M6   | M8   | M10  | M12  | M16  | M20  | M24  | M27  | M30  |
|----------------------------|-------------------------|------|------|------|------|------|------|------|------|------|
| <b>un-cracked concrete</b> |                         |      |      |      |      |      |      |      |      |      |
| $\delta_{N0}$ -Factor      | [mm/N/mm <sup>2</sup> ] | 0,09 | 0,09 | 0,09 | 0,10 | 0,10 | 0,10 | 0,10 | 0,11 | 0,12 |
| $\delta_{N\infty}$ -Factor | [mm/N/mm <sup>2</sup> ] | 0,10 | 0,10 | 0,10 | 0,12 | 0,12 | 0,12 | 0,13 | 0,13 | 0,14 |
| <b>Cracked concrete</b>    |                         |      |      |      |      |      |      |      |      |      |
| $\delta_{N0}$ -Factor      | [mm/N/mm <sup>2</sup> ] | --   | --   | 0,12 | 0,12 | 0,13 | 0,13 | --   | --   | --   |
| $\delta_{N\infty}$ -Factor | [mm/N/mm <sup>2</sup> ] | --   | --   | 0,27 | 0,30 | 0,30 | 0,30 | --   | --   | --   |

<sup>1)</sup> Calculation of the displacement

$$\delta_{N0} = \delta_{N0}\text{-Factor} \cdot \tau$$

$$\delta_{N\infty} = \delta_{N\infty}\text{-Factor} \cdot \tau$$

**Table C10: Displacements under shear load <sup>1)</sup> for threaded rods**

| Size                       |         | M6   | M8   | M10  | M12  | M16  | M20  | M24  | M27  | M30  |
|----------------------------|---------|------|------|------|------|------|------|------|------|------|
| $\delta_{V0}$ -Factor      | [mm/kN] | 0,11 | 0,11 | 0,11 | 0,10 | 0,10 | 0,09 | 0,09 | 0,08 | 0,07 |
| $\delta_{V\infty}$ -Factor | [mm/kN] | 0,12 | 0,12 | 0,12 | 0,11 | 0,11 | 0,10 | 0,10 | 0,09 | 0,09 |

<sup>1)</sup> Calculation of the displacement

$$\delta_{N0} = \delta_{N0}\text{-Factor} \cdot V$$

$$\delta_{N\infty} = \delta_{N\infty}\text{-Factor} \cdot V$$

**Table C11: Displacements under tension load <sup>1)</sup> for internal threaded anchors RG MI**

| Size                       |                         | M8   | M10  | M12  | M16  | M20  |
|----------------------------|-------------------------|------|------|------|------|------|
| $\delta_{N0}$ -Factor      | [mm/N/mm <sup>2</sup> ] | 0,1  | 0,11 | 0,12 | 0,13 | 0,14 |
| $\delta_{N\infty}$ -Factor | [mm/N/mm <sup>2</sup> ] | 0,13 | 0,14 | 0,15 | 0,16 | 0,18 |

<sup>1)</sup> Calculation of the displacement

$$\delta_{N0} = \delta_{N0}\text{-Factor} \cdot \tau$$

$$\delta_{N\infty} = \delta_{N\infty}\text{-Factor} \cdot \tau$$

**Table C12: Displacements under shear load <sup>1)</sup> for internal threaded anchors RG MI**

| Size                       |         | M8   | M10  | M12  | M16  | M20  |
|----------------------------|---------|------|------|------|------|------|
| $\delta_{V0}$ -Factor      | [mm/kN] | 0,12 | 0,12 | 0,12 | 0,12 | 0,12 |
| $\delta_{V\infty}$ -Factor | [mm/kN] | 0,14 | 0,14 | 0,14 | 0,14 | 0,14 |

<sup>1)</sup> Calculation of the displacement

$$\delta_{N0} = \delta_{N0}\text{-Factor} \cdot V$$

$$\delta_{N\infty} = \delta_{N\infty}\text{-Factor} \cdot V$$

**fischer injection system FIS VL**

**Performances**

Displacements threaded rods and internal threaded anchors RG MI

**Annex C 7**